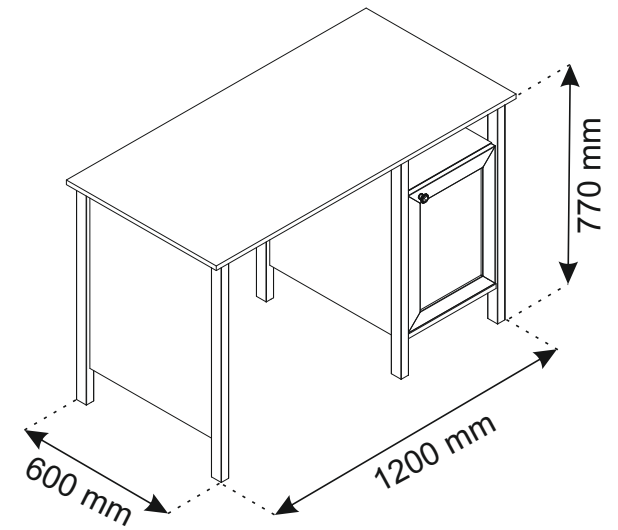
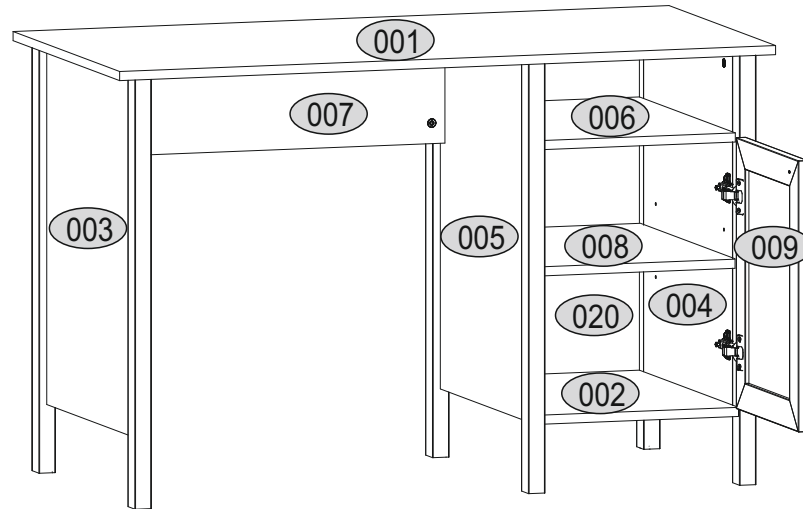
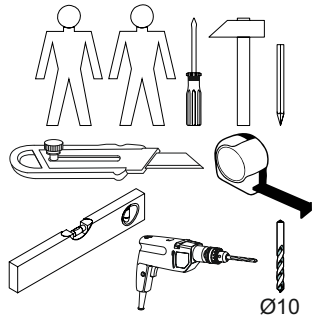
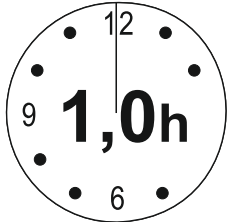
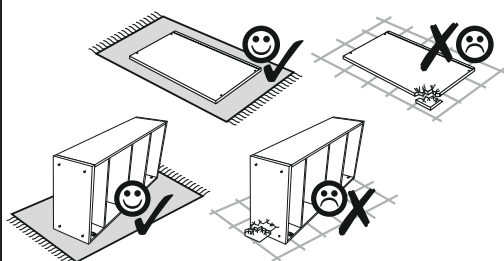
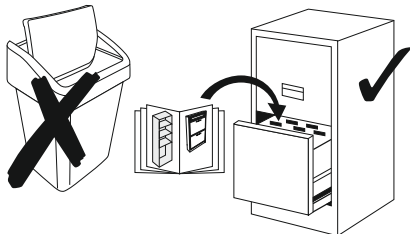


# Installation manual



## Klark Writing desk 1D

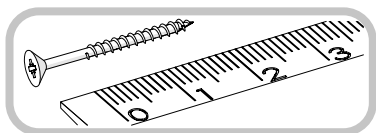


Code	Dimensions				Package
001	1200	600	16	1	2/2
002	356	572	16	1	2/2
003	754	580	30	1	1/2
004	754	580	30	1	1/2
005	754	580	30	1	1/2
006	356	540	16	1	2/2
007	704	200	16	1	2/2
008	356	538	16	1	2/2
009	475	350	18	1	1/2
020	627	374	3	1	2/2
accessories				1	1/2



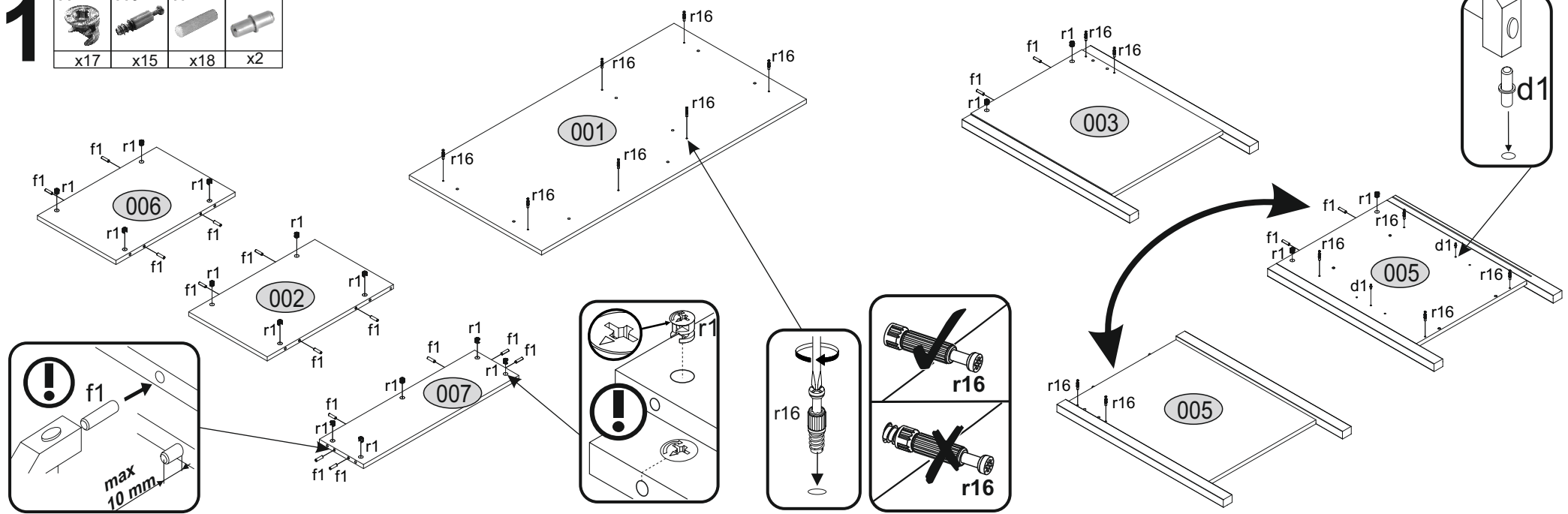
# Accessories:

<p>2x a143</p> 	<p>2x b119</p> 	<p>1x c44</p> 	<p>4x d1</p> 
<p>20x f1 Ø8x30</p> 	<p>1x j8</p> 	<p>3x l2</p> 	<p>7x p25</p> 
<p>19x r1 Ø15x12</p> 	<p>19x r16 Ø5x24</p> 	<p>15x s2</p> 	<p>8x s4</p> 
<p>1x z1</p> 			



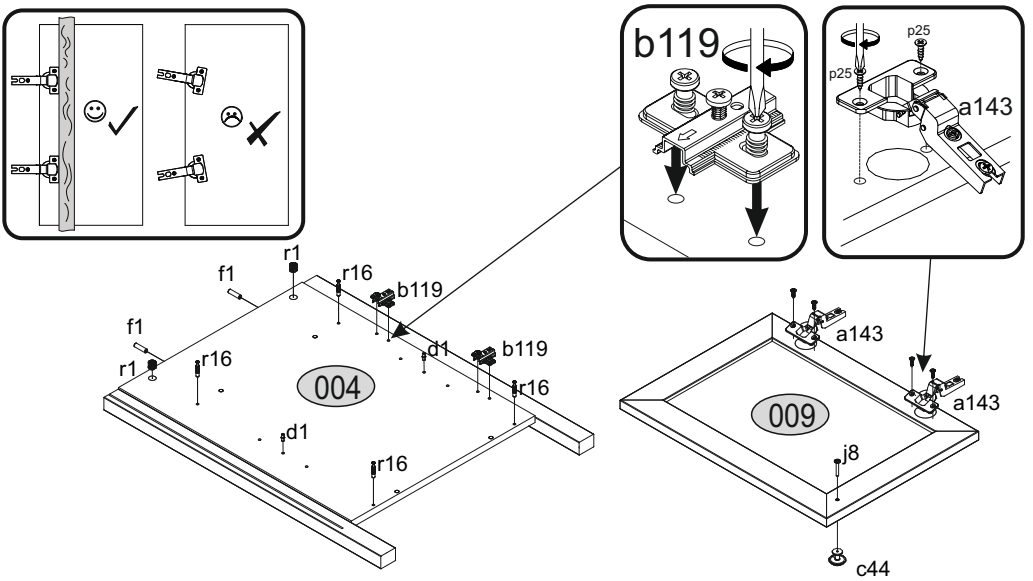
# 1

r1	r16	f1	d1
x17	x15	x18	x2

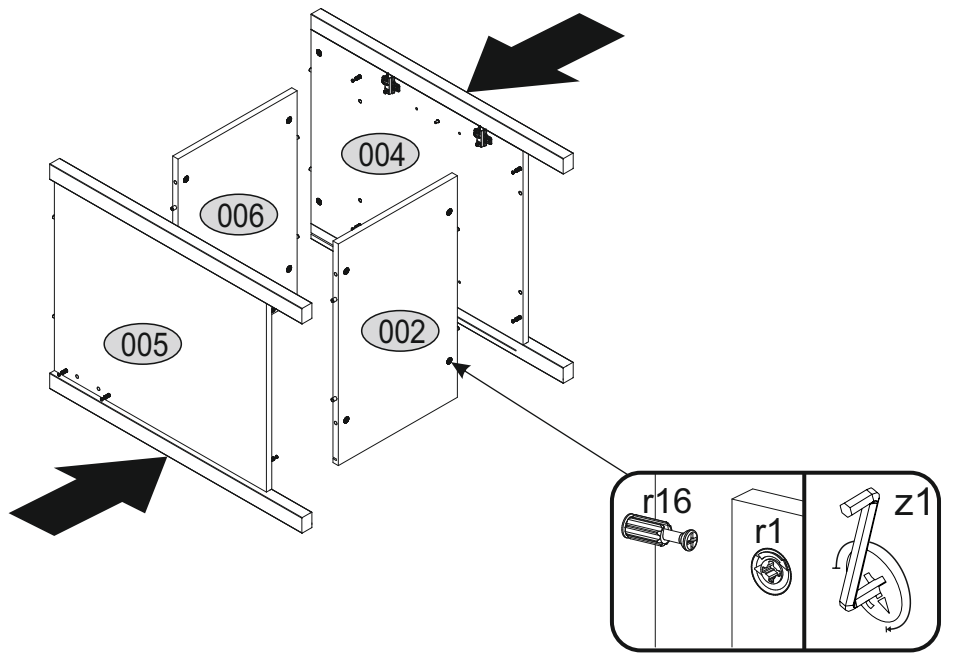


# 2

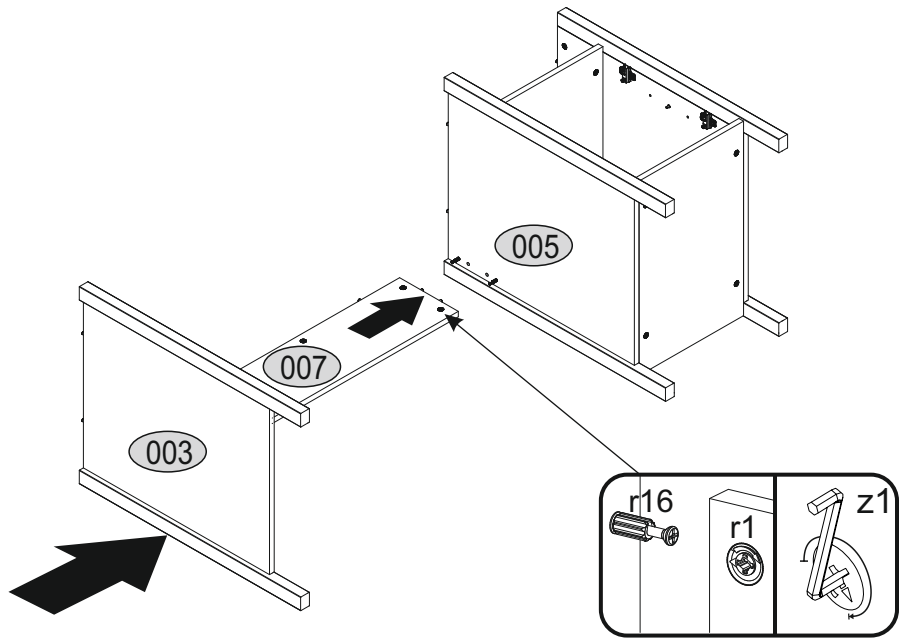
r1	d1	f1	p25	a143	b119	r16	j8	c44
x2	x2	x2	x4	x2	x2	x4	x1	x1



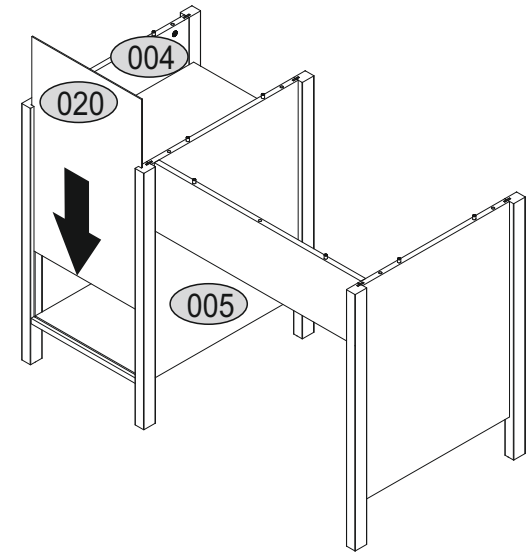
# 3



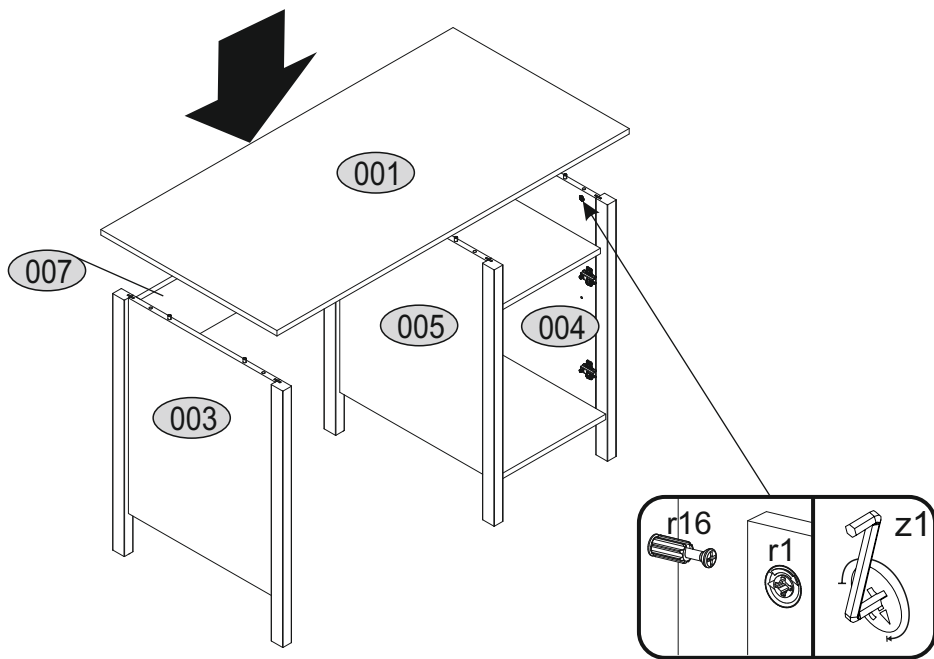
4



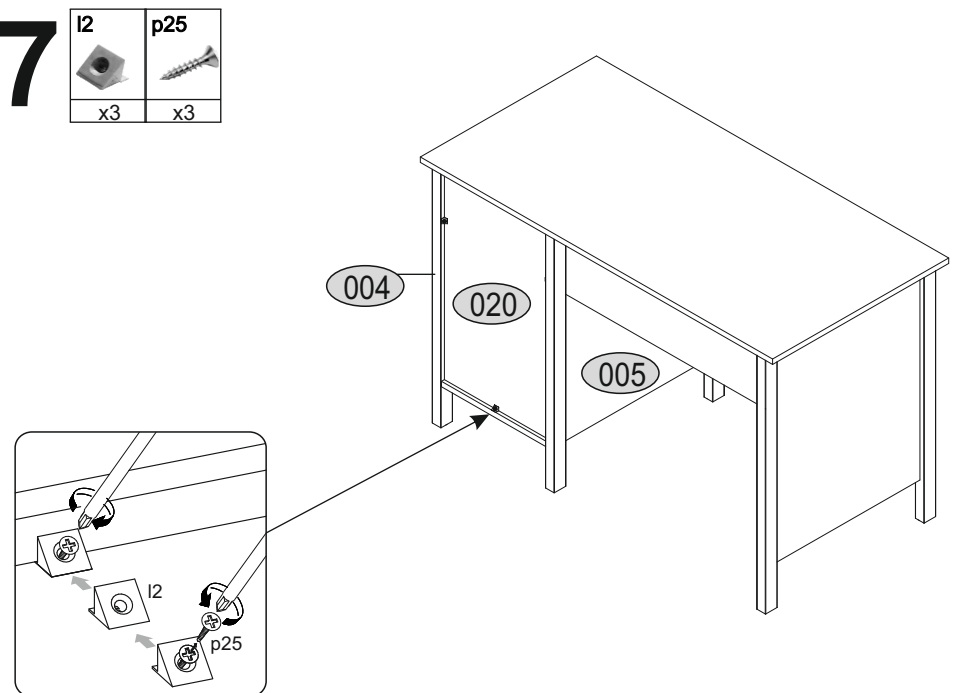
5





6



7



# 8

s2	s4
	
x15	x8

